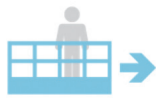


SPECIFICATION

CTEB-LIFT 18



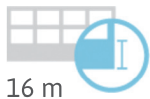
18 m*



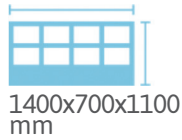
12,5 m*



300 kg



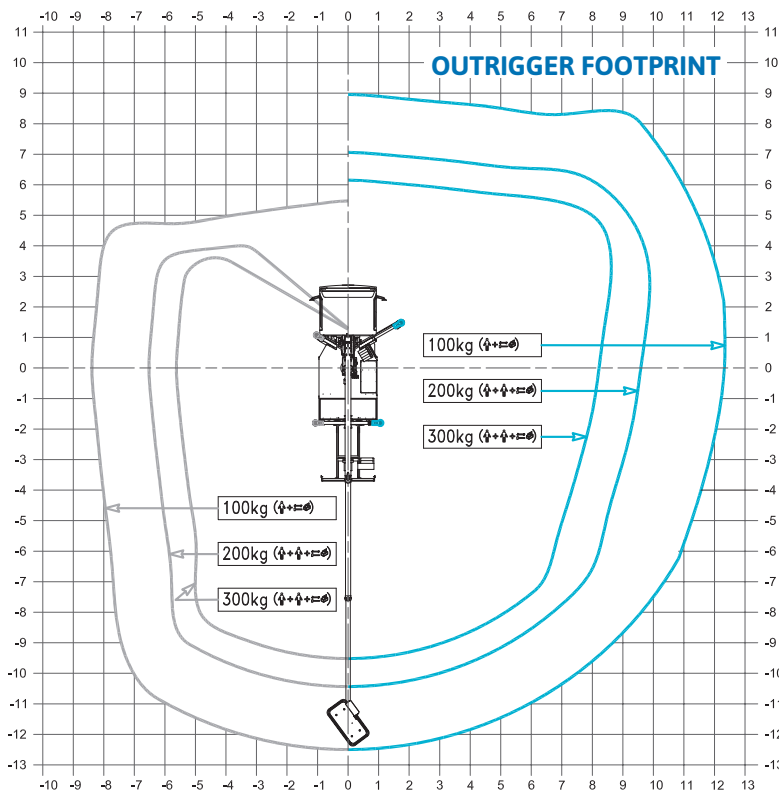
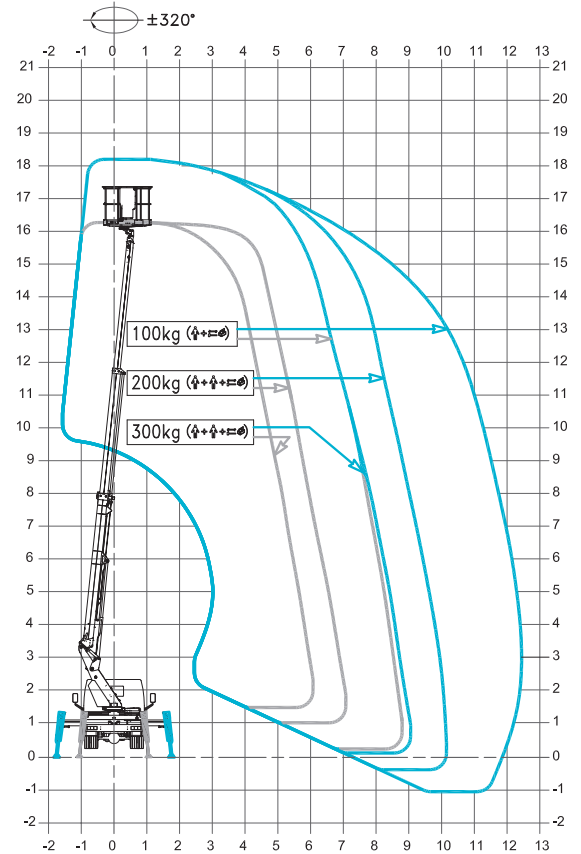
16 m



1400x700x1100 mm

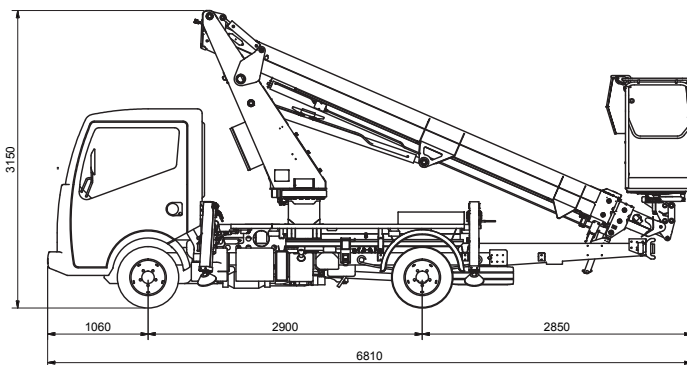
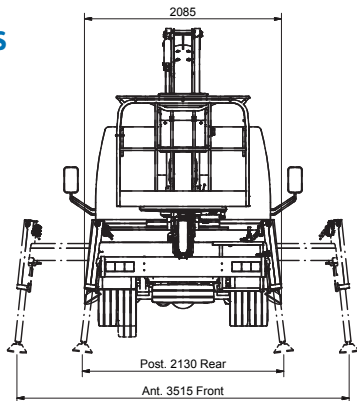
GVW min
3,5 t

WORKING ENVELOPE



* outreach and height max values and repeatability can change within ± 3% due to manufacturing variation and working condition.

DIMENSIONS



CTE S.p.A.

Headquarter 7 Via Caproni - Rovereto (TN) IT, 38068

Ph. +39 0464 48.50.50 - Fax +39 0464 48.50.99

info@ctelift.com - www.ctelift.com

Factory 5 Loc. Terramatta - Rivoli Veronese (VR) IT, 37010

CTE UK Ltd Enderby Leicestershire - UK

Product specifications are subject to change without notice or obligation. Technical features and drawings in this brochure are for illustrative purposes only. _B-LIFT 18 - ed. 09/18

